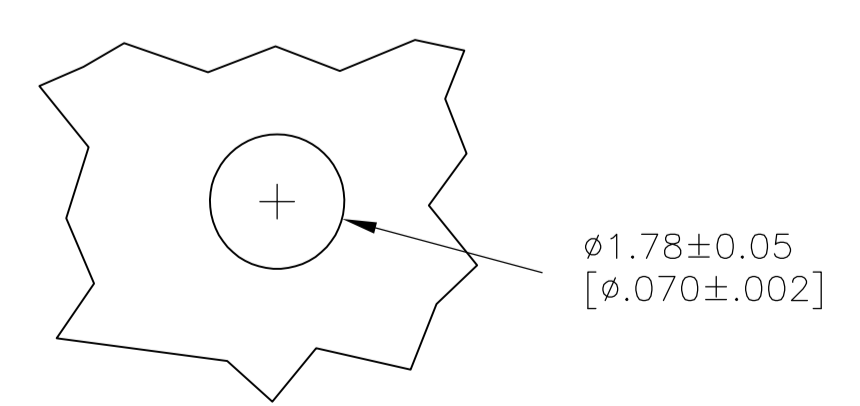
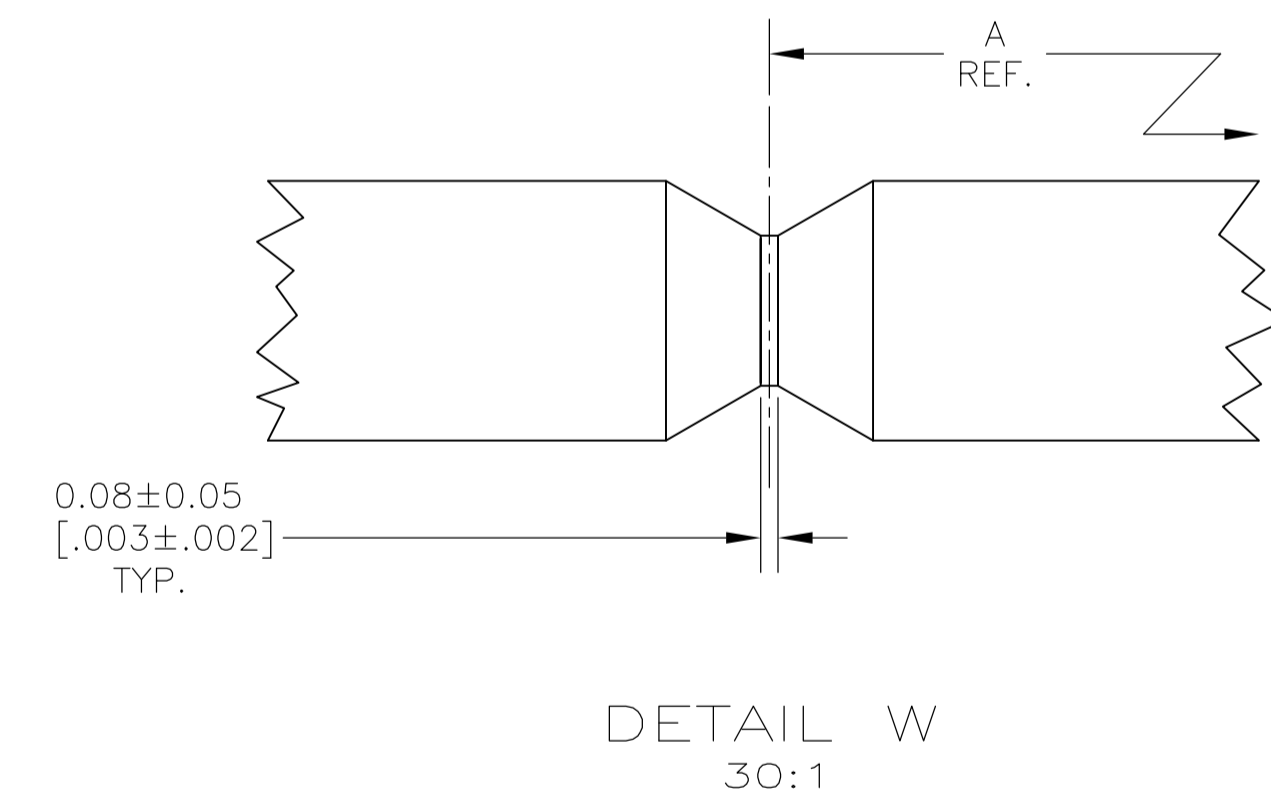
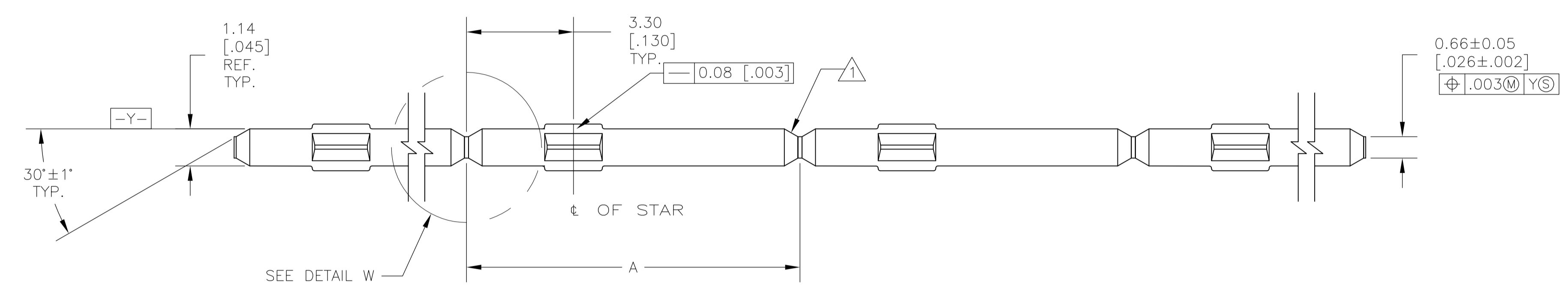


1 THE NOTCHED EDGES AND POST TIPS WILL NOT BE PLATED.
 2 .000762 [.000030] MIN GOLD OVER .00127 [.000050] MIN NICKEL.



25.40	[1.000]	6-147438-1
25.15	[.990]	6-147438-0
24.89	[.980]	5-147438-9
24.64	[.970]	5-147438-8
24.38	[.960]	5-147438-7
24.13	[.950]	5-147438-6
23.88	[.940]	5-147438-5
23.62	[.930]	5-147438-4
23.37	[.920]	5-147438-3
23.11	[.910]	5-147438-2
22.86	[.900]	5-147438-1
22.61	[.890]	5-147438-0
22.35	[.880]	4-147438-9
22.10	[.870]	4-147438-8
21.84	[.860]	4-147438-7
21.59	[.850]	4-147438-6
21.34	[.840]	4-147438-5
21.08	[.830]	4-147438-4
20.83	[.820]	4-147438-3
20.57	[.810]	4-147438-2
20.32	[.800]	4-147438-1
20.07	[.790]	4-147438-0
19.81	[.780]	3-147438-9
19.56	[.770]	3-147438-8
19.30	[.760]	3-147438-7
19.05	[.750]	3-147438-6
18.80	[.740]	3-147438-5
18.54	[.730]	3-147438-4
18.28	[.720]	3-147438-3
18.03	[.710]	3-147438-2
17.78	[.700]	3-147438-1
17.53	[.690]	3-147438-0
17.27	[.680]	2-147438-9
17.02	[.670]	2-147438-8
16.76	[.660]	2-147438-7
16.51	[.650]	2-147438-6
16.26	[.640]	2-147438-5
16.00	[.630]	2-147438-4
15.75	[.620]	2-147438-3
15.49	[.610]	2-147438-2
15.24	[.600]	2-147438-1
14.99	[.590]	2-147438-0
14.73	[.580]	1-147438-9
14.48	[.570]	1-147438-8
14.22	[.560]	1-147438-7
13.97	[.550]	1-147438-6
13.72	[.540]	1-147438-5
13.46	[.530]	1-147438-4
13.21	[.520]	1-147438-3
12.95	[.510]	1-147438-2
12.70	[.500]	1-147438-1
12.45	[.490]	1-147438-0
12.19	[.480]	147438-9
11.94	[.470]	147438-8
11.68	[.460]	147438-7
11.43	[.450]	147438-6
11.18	[.440]	147438-5
10.92	[.430]	147438-4
10.67	[.420]	147438-3
10.41	[.410]	147438-2
10.16	[.400]	147438-1
	A	PART NO.

RECOMMENDED TIN PLATED HOLE SIZE
 SCALE 10:1

THIS DRAWING IS A CONTROLLED DOCUMENT.		DIN B HAYMAKER 23JUN00	Tyco Electronics Corporation Harrisburg, PA 17105-3608	
DIMENSIONS: INCHES		CHK M CHIANG 4SEP98	NAME .045 SQUARE CONTINUOUS POST, 30u GOLD	
TOLERANCES UNLESS OTHERWISE SPECIFIED:		APVD M CHIANG 4SEP98	APPLICATION SPEC 114-13011	
0 PLC ± -	1 PLC ± -	SIZE A1	CAGE CODE 00779	DRAWING NO 147438
2 PLC ± -	3 PLC ± 0.13(.005)	WEIGHT -	SCALE 10:1	SHEET 1 OF 1
4 PLC ± -	ANGLES ± -	MATERIAL BRASS	CUSTOMER DRAWING	REV A